

## Molded Fiberglass Barrier-Free Center Drain Shower Receptor

### Architect's Specifications

Furnish and install molded fiberglass one piece shower unit manufactured by Florestone Products Company. Unit to be manufactured of gel-coated fiberglass and to be supplied with slip-resistant floor laminated for extra rigidity. Color will be white (unless otherwise specified). Unit to be supplied with a 2" PNC non-caulk drain

### Colors

Standard Color: White

Optional Colors: Almond, Biscuit, Bone and Special Granite Colors.

Color matching most major manufacturers' colors available.

### Accessories

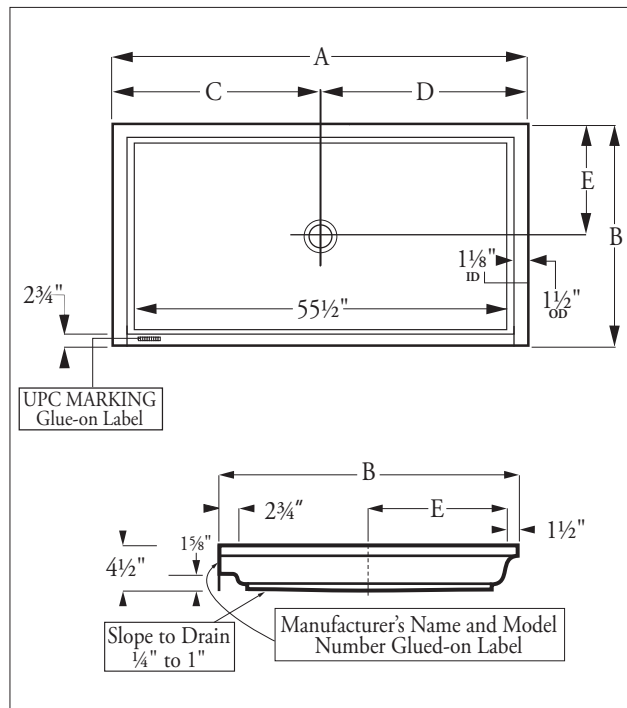
Strainer, Chrome

Strainer, Plastic

Repair Kit.



One piece, single threshold model for recessed installation. Features 1" flange on three remaining sides.



**Dimensions may vary  $\pm$  1/4" inch. Please check unit before installation.**

**Place receptor on a bed of mortar or plaster for warranty compliance.**

**Dimensions subject to change without notice. Contact Florestone Products to verify product specifications.**



**FLORESTONE PRODUCTS CO., INC.**

2851 Falcon Drive • Madera, CA 93637

T. 559.661.4171 • T. 800.446.8827

F. 559.661.2070 • florestone.com

### MOLDED FIBERGLASS CENTER-DRAIN SHOWER RECEPTORS

Model	A	B	C	D	E	WT.
3963F-BF	63 1/4"	39"	31 5/8"	31 5/8"	19 1/2"	86
6060F-BF	60 1/4"	60"	30 1/8"	30 1/8"	30"	110
6063F-BF	63 1/4"	60"	31 5/8"	31 5/8"	30"	116

#### Standards:

I.A.P.M.O.

International Association of Plumbing and Mechanical Officials  
File No. 0687.

ANSI

American National Standards Institute - Specifications Z-124.2.

